

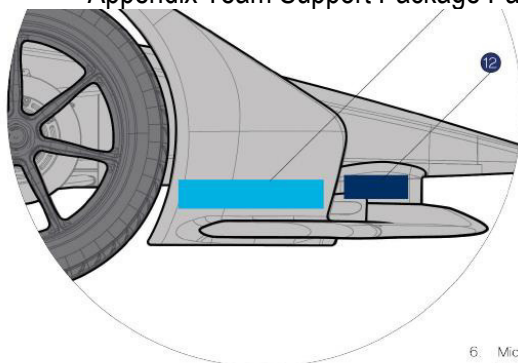
BERLIN EPRIX - 25 MAY 2019

From The Stewards **Bulletin N° 02**
To All Competitors and Drivers

The Stewards inform all Competitors that:

- 1 – **The attached Michelin Tyre working range** from 22 May 2019 is valid for the 2018-2019 FIA Formula E Championship – Berlin ePrix.
- 2 – **Summary of mandatory media activities** is attached for your information
- 3 – The **timetable** version number 1 is valid.
- 4 – **Article 16.3**
The time penalty will be as follows:

Drive Through	18 Seconds
10 second Stop and Go	33 Seconds
- 5 – **Amendment to Appendix 1**
Length of one lap: ~~2375m~~ new: 2377 m
- 6 – All Season-Technical Notes S05-01 – S05-09 are valid until the end of the 2018/2019 FIA Formula E Championship.
- 7 – Following the e-mail sent from the FIA Formula E Category Manager on 22 May 2019 to all teams, the FIA Action for Road Safety Sticker has to be replaced by the FIA Action for Environment Sticker according to the FIA Formula E Sporting Regulations 2018/2019 Appendix Team Support Package Page 18.



6. Michelin Sport
310mm x 62mm
12. Action For Road Safety
138mm x 48mm



Paolo Longoni
FIA Steward (Chairman)

G rard Martin
FIA Steward

Michael Schw gerl
Steward (National)

Date: 23 May 2019

Time: 17:30

Document: 3

MICHELIN FORMULA E

BERLIN ePrix 2019

Michelin Pilot Sport Tyre working range

22th May 2019

To : FIA, All Formula E teams, Race Director, Stewards, FEH
Date : 22th May 2019
Subject : Berlin ePRIX 2019 Michelin Pilot Sport Tyre working range

Dear Competitors,

Please find below the tyre working range for the BERLIN ePrix 2019 as per article 25.11 of the sporting regulations:

FORMULA-E RACE TYRE MANDATORY WORKING RANGE



THIS DOCUMENT DEFINES THE TYRE WORKING RANGE APPLICABLE TO THE FOLLOWING TYRES :

	<i>FRONT 24/64-18</i>	<i>REAR 27/68-18</i>
<i>"PILOT SPORT" RACE</i>	<i>E/F146945K</i>	<i>E/F146946K</i>
<i>MINIMUM PRESSURE</i>	<i>1.40 BAR</i>	<i>1.40 BAR</i>
	<i>MAXIMUM MILEAGE</i>	
<i>CAMBER > -0.5°</i>	<i>OKM</i>	<i>OKM</i>
<i>CAMBER FROM -0.5° TO -3.5°</i>	<i>360KM</i>	<i>360KM</i>
<i>CAMBER < -3.5°</i>	<i>OKM</i>	<i>OKM</i>

VERSION 2 : RELEASED 15/06/2018 INCREASE OF MAXIMUM NUMBER OF KILOMETERS FOR RACE "PILOT SPORT" FRONT AND REAR FROM 240KM TO 360KM

VERSION 3 : RELEASED 03/01/2019 TYPHOON TYRES SUPPRESS

VERSION 4 : RELEASED 09/05/2019 SEASON 5 - MONACO EVENT - RUNNING PRESSURE SUPPRESS

VERSION 5 : RELEASED 22/05/2019 1.40BAR INSTEAD OF 1.4BAR AND CHANGE OF MINIMUM PRESSURE DEFINITION WITH ADD OF 30 MIN OF PARC FERMÉ

DEFINITION:

MINIMUM PRESSURE :

TYRE PRESSURE MEASURED AT ANY TIME FROM THE BEGINNING OF THE SESSION WHEN THE WHEELS ARE FITTED TO THE CAR UNTIL THE END OF THE SESSION AND/OR IF APPLICABLE, WITHIN THE FIRST THIRTY (30) MINUTES OF PARC FERMÉ REGULATIONS ART. 34.1 & 37.6 - SAFETY CONCERN

We remain at your disposal for any further enquiries

Best regards

MICHELIN MOTORSPORT



MICHELIN
MOTORSPORT

ROUND 10 - BERLIN E-PRIX

From Britta Mc Kenna – FIA Formula E Media Delegate

To Javier Maffioli – FIA Formula E Championship Manager

Summary of mandatory media activities

Date	Time	Activity	Location	Driver
Friday	09:45-10:00	FIA Press Conference Part 1	Media Centre	Ulrich Fritz Roger Griffiths Allan McNish
	10:00-10:15	FIA Press Conference Part 2	Media Centre	Daniel Abt Tom Dillmann Gary Paffett Pascal Wehrlein
	10:15-10:45	Media Pen	Outside Media Centre	All drivers
	12:30-13:00	Drivers' Briefing	Briefing Room	All drivers
	13:30-13:50	E-Race Qualifying	Gaming Area	All drivers
	16:50-16:55	Driver Group Photo (FIA campaigns)	Outside Media Centre	All drivers
	17:00-17:30	Autograph Session	E-Village	All drivers
	Saturday	11:00-11:30	Autograph Session	E-Village
11:35-11:50		E-Race	Gaming Arena	Qualifying drivers
12:05-12:15		Driver Presentation	Pitlane	Daniel Abt Andre Lotterer Maximilian Günther Pascal Wehrlein
14:25-14:40		FIA Press Conference	Media Centre	Top 3 drivers
14:40-15:10		Media Pen	Outside Media Centre	All drivers



Britta Mc Kenna

FIA Formula E Championship Media Delegate

